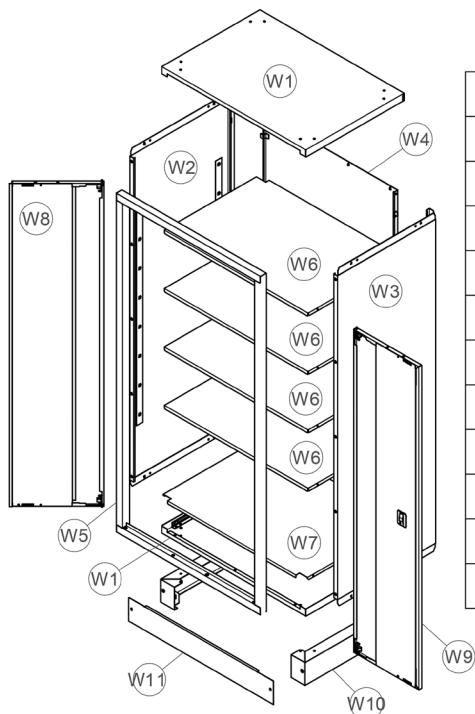


PARTS LIST



ITEM	DESCRIPTION	QTY.
W1	Top Panel	2
W2	Left Side Panel	1
W3	Right Side Panel	1
W4	Back Panel	1
W5	Door Frame	1
W6	Adjustable Shelf	4
W7	Bottom Shelf	1
W8	Left Door	1
W9	Right Door	1
W10	Base Side Part	2
W11	Frontal Adjustable Panel	1

HARDWARE CONTENTS

NO.	DESCRIPTION	QTY.
A	Screws ST6×12	24+2
B	Bolts M8×16	2
C	Adjustable Feet	4



A



B



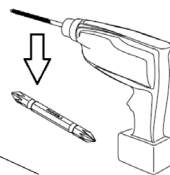
C

RECOMMENDED TOOLS FOR INSTALLATION

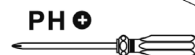


FOR B

FOR A

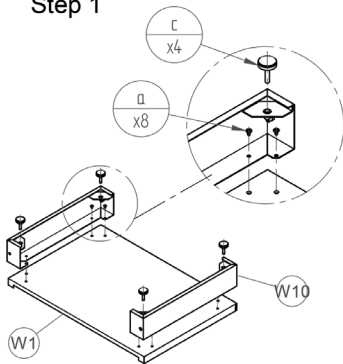


OR

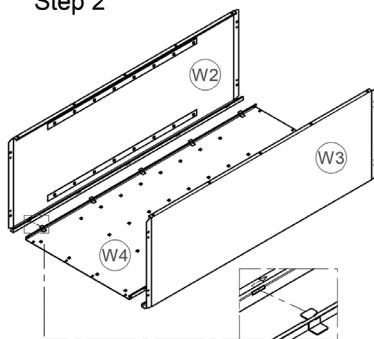




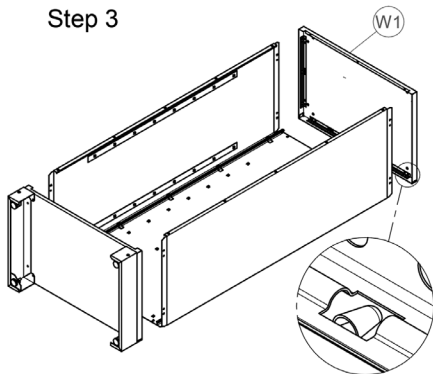
Step 1



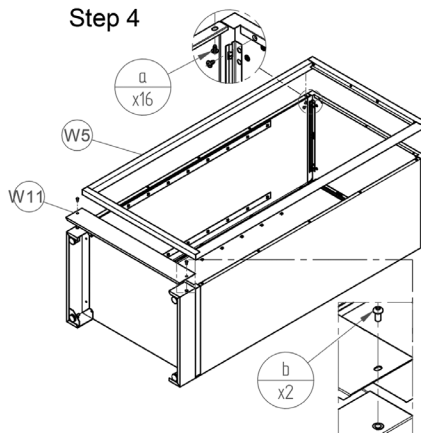
Step 2



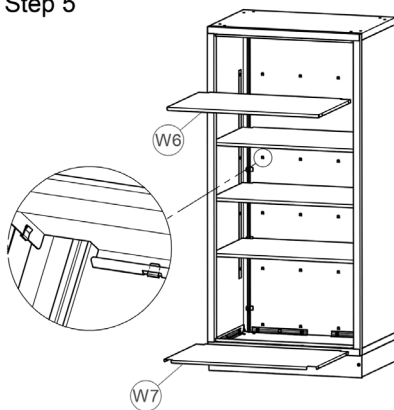
Step 3



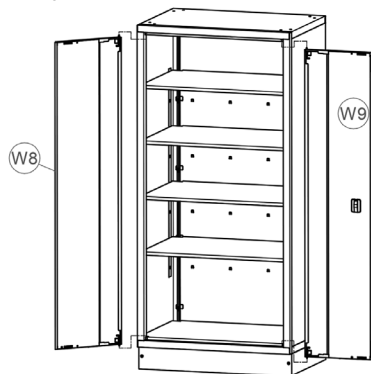
Step 4



Step 5



Step 6



BETA UTENSILI S.p.A.

via Alessandro Volta, 18 - 20845 Sovico (MB) ITALY - Tel. +39 039.2077.1 - Fax +39 039.2010742

www.beta-tools.com

